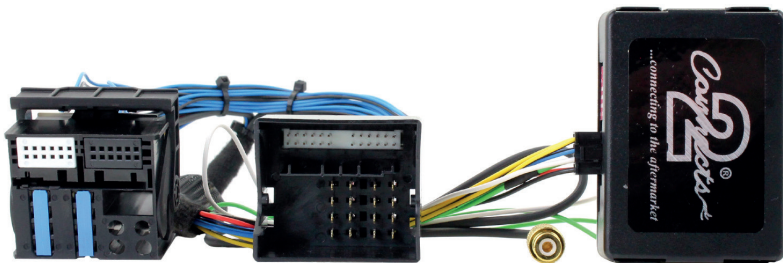




*...connecting to the aftermarket*

## **CAM-PO1-AD**

**Rear View Camera Input and Video-In-Motion**



### **Application:**

**Porsche Cayenne 2002>, Panamera 2009>,  
Boxster 2012 - 2016, Cayman 2012 - 2016**

**For Vehicles with PCM 3.0 (Cayenne E1 Only),  
PCM 3.1 Navigation Head Units**

***www.connects2.com***

## ABOUT THIS PRODUCT...

---

### **CAM-PO1-AD**

Rear-View Camera Input and Video-In-Motion for Porsche Vehicles with PCM 3 and PCM 3.1 Navigation Systems. Add On Reverse Camera Interface for OEM Systems allows the addition of an aftermarket reverse camera to the OEM screen. Only for vehicles without factory rear-view camera.

Internal DVD video cannot be watched whilst in motion.

### **Prior to Installation**

Read the manual prior to installation. Technical knowledge is necessary for installation. The place of installation must be free of moisture and away from heat sources. Please ensure you use the correct tools to avoid damage to the vehicle or product.

***Connects2 can not be held responsible for the installation of this product.***

### **Technical Support**

Connects2 want to provide a fast and suitable resolution should you encounter any technical issues. With this in mind, when contacting Connects2, try to provide as much Information as possible. This will speed up the process and help us to help you.

**Please use our dedicated online technical support centre: [support.connects2.com](http://support.connects2.com)**



Subscribe to our YouTube Channel for installation guides and tips... [www.youtube.com/connects2](http://www.youtube.com/connects2)

**Setting the Dip Switches of the Interface**

Vehicle/ navigation	Dip 1	Dip 2	Dip 3	Dip 4	Dip 5	Dip 6
PCM 3 with video-in-motion activated	ON	ON	OFF	OFF	OFF	OFF
PCM 3 with video-in-motion deactivated	OFF	ON	OFF	OFF	OFF	OFF
PCM 3.1 with video-in-motion activated	ON	ON	OFF	OFF	OFF	ON
PCM 3.1 with video-in-motion deactivated	OFF	ON	OFF	OFF	OFF	ON

Interface Dipswitch Functions:

Dip 1 – Activation of Video in Motion

Dip 2 – Existing Rear View Camera

Dip 3 – Coding rear-view camera by white cable

Dip 4 – Coding Park Assistant by white cable (only PCM3.1, PCM3 no function)

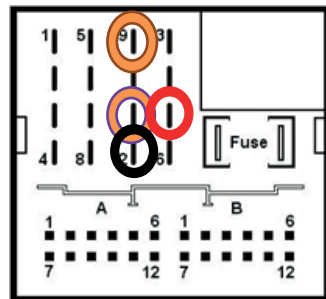
Dip 5 – No function

Dip 6 – No function / CAN-bus termination

**Pin-Assignments**

**Factory Connector - Pin Configuration**

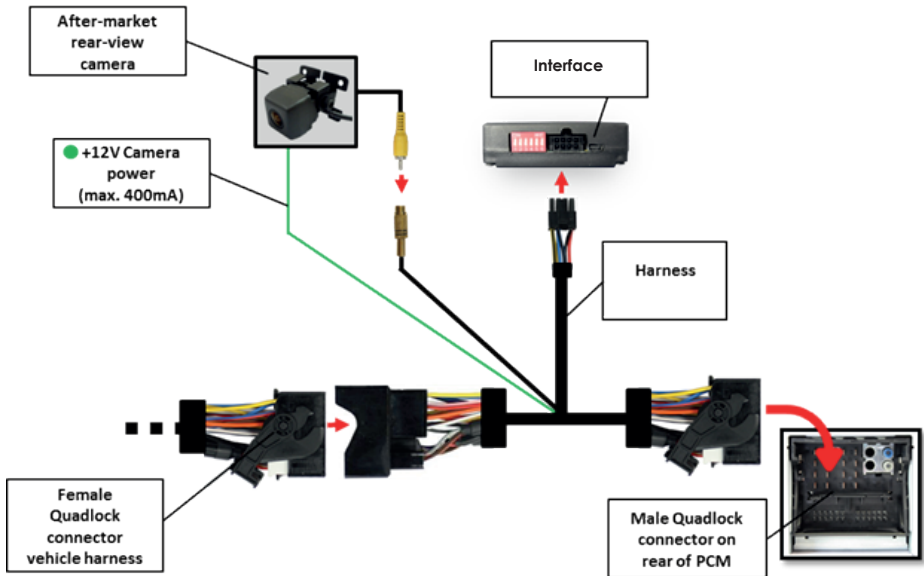
Cable Colour	Assignment	Pin No.
Red	+12V Battery	Pin 15
Black	Ground	Pin 12
Orange/Brown	CAN-low	Pin 9
Orange/Purple	CAN-high	Pin 11



### Pin-Assignment of the Interface (Molex 8pin)

Cable Colour	Pin-No.	Assignment
Yellow	Pin 4	CAN-HIGH – connection to the head-unit
Blue	Pin 3	CAN-LOW – connection to the head-unit
Yellow/Black	Pin 8	CAN-HIGH – connection to the vehicle
Blue/Black	Pin 7	CAN-LOW – connection to the vehicle
Red	Pin 1	+12V Permanent
Black	Pin 5	Ground
Green	Pin 2	+12V rear-view camera (max. 400mA)
White	Pin 6	Alternative coding

### Connection Diagram



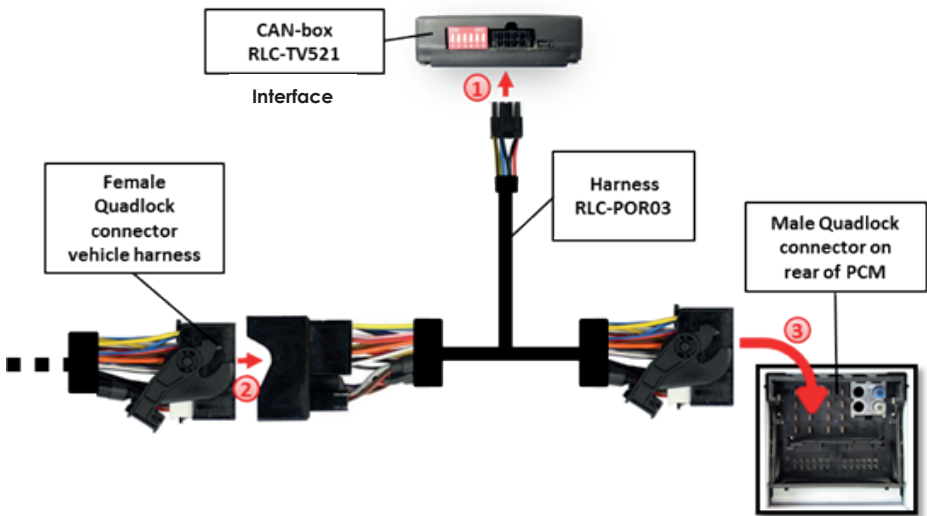
## INSTALLATION

---

NB: Before installation, switch off ignition, disconnect the vehicle battery and remove the vehicle's head unit.

The interface is installed behind the vehicle's head unit.

### Connecting Interface, Harness and Factory Navigation Monitor



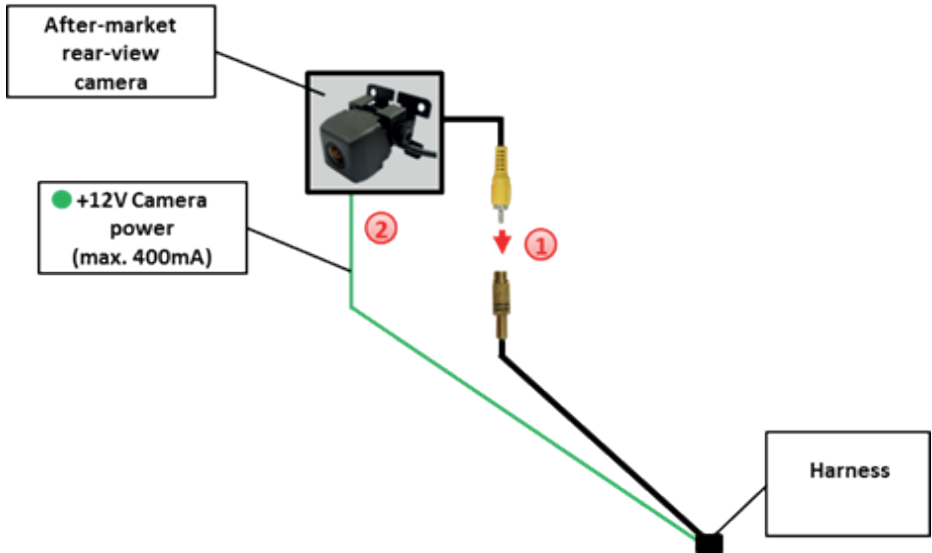
1. Connect the female 8pin Molex connector of the harness to the male 8pin Molex connector of the Interface.

2. Transfer the female Quadlock connector of the vehicle harness from the rear of the head-unit into the male Quadlock connector of harness.

3. Plug the female Quadlock connector of the harness into the male Quadlock connector on the rear of the head-unit.

## INSTALLATION

### Connections to Rear-View Camera



1. Connect the video RCA of the rear-view camera to the female RCA connector of harness.

2. Connect the green cable of the harness to the camera power supply (+12V max 400mA). The green cable is high when reverse gear is engaged (and if ignition is off). The power will be deactivated from a speed of 20 km/h.

### Coding of the Rear-View Camera (Only PCM3.1)



Steering-Wheel Buttons Left



Steering-Wheel Buttons Right

## INSTALLATION

It is necessary to code the rear-view camera input of the PCM 3.1 for use of an aftermarket camera

1. Turn on ignition
2. Wait until the head-unit has booted up
3. Press and hold steering-wheel button HASH KEY/MODE
4. Press and hold steering-wheel button ACCEPT
5. Hold both buttons. During configuration the red and blue LED will flash inside the CAN-box (visible at the male 8pin Molex connector). The PCM will reset after 5-10 seconds
6. Disengage both steering-wheel buttons.
7. When coding is successful, the red and the blue LED inside the CAN-Box will be lit and the notice, "Rear-view camera", will appear in the menu.



### Optionally coding of ParkAssistant to retrofit factory PDC (only PCM3.1)



Steering-Wheel Buttons Left



Steering-Wheel Buttons Right

## INSTALLATION

---

It is necessary to code the Park Assistant of the PCM 3.1 to retrofit factory PDC.

1. Turn on ignition
2. Wait until the head-unit has booted up
3. Press and hold 'Back' on the steering wheel
4. Press and hold 'Accept' on the steering wheel
5. Hold both buttons. During configuration the red and blue LED will flash inside the CAN-box (visible at the male 8pin Molex connector).  
The PCM will reset after 5-10 seconds
6. Disengage both steering-wheel buttons
7. When coding is successful, the red and the blue LED inside the CAN-Box will light up and the notice "Park Assistant" will appear in the menu



### Decoding of the Park Assistant (only PCM3.1)

It is possible to decode the Park Assistant as follows:

1. Turn on ignition
2. Wait until the head-unit has booted up
3. Press and hold 'Back' on the steering wheel
4. Press and hold 'Hang Up' on the steering wheel
5. Hold both buttons. During configuration the red and blue LED will flash inside the CAN-box (visible at the male 8pin Molex connector).  
The PCM will reset after 5-10 seconds
6. Disengage both steering-wheel buttons
7. When decoding is successful, the red and the blue LED inside the CAN-Box will light up and the notice "ParkAssistant" disappears in the menu



## INSTALLATION

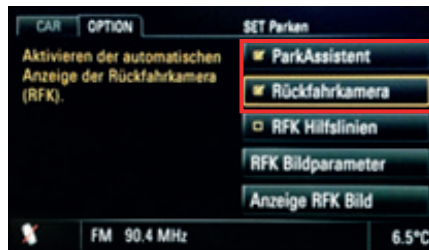
---

### **Alternatively coding and decoding of rear-view camera and ParkAssistant (e.g. if steering-wheel buttons not existing, only PCM3.1)**

Alternatively to coding through the steering-wheel buttons, the coding and decoding of rear-view camera and Park Assistant can be completed via the loose white cable in connection with Dip 3 and 4 on the Interface.

Dip	Function	ON	OFF
Dip 3	Rear-view camera	Coding	Decoding
Dip 4	ParkAssistant	Coding	Decoding

1. Turn on ignition
2. Wait until the head-unit has booted up
3. Set Dip3 and Dip4 of Interface (depending on the desired coding/decoding)
4. Put +12V for 5 sec. to the white cable
5. During configuration the red and blue LED will flash inside the CAN-box (visible at the male 8pin Molex connector). The PCM will reset after 5-10 seconds
6. The red and the blue LED inside the Interface will light up and the notice "Rear-view camera" or "ParkAssistant" will appear in the menu after successful coding (or disappear after successful decoding)



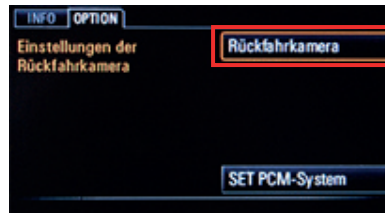
If a factory PDC exists in the car, set Dip4 to "ON" while coding, otherwise the factory PDC will be decoded

### Coding and decoding of rear-view camera (Porsche Cayenne Only)

The rear-view camera can be coded or decoded via the loose white cable in connection with Dip3 of the Interface.

Dip	Function	ON	OFF
Dip 3	Rear-view camera	Coding	Decoding

1. Turn on ignition
2. Wait until the head-unit has booted up
3. Set Dip3 and Dip4 of Interface (depending on the desired coding/decoding)
4. Put +12V for 5 sec. to the white cable
5. During configuration the red and blue LED will flash inside the CAN-box (visible at the male 8pin Molex connector). The PCM will reset after 5-10 seconds
6. The red and the blue LED inside the Interface will light up and the notice "Rear-view camera" or "ParkAssistant" will appear in the menu after successful coding (or disappear after successful decoding)



### Activation of Video-In-Motion Functionality

With Dip1 set to "ON", the video-in-motion function is activated permanently



NOTES

---

A series of horizontal dotted lines for writing notes.