

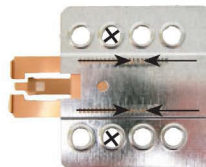
## Installation manual for: **Saab**

9-3 2006 - 2013



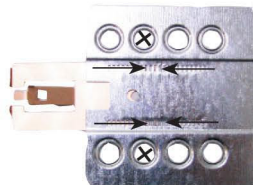
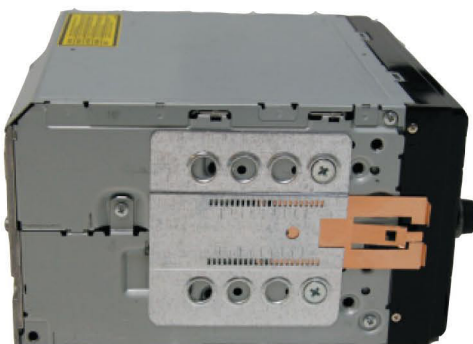
Installation kit includes the following items:

- \* XXXXXXXXXXXXXXXX
- \* 1X 2-ISO 100 mm. metal bracket
- \* 1X Replacement Panel
- \* 2X Mounting plates
- \* 2X Mounting spacers
- \* 2X Radio removal keys
- \* 4X Screws
- \* 2X Cushion



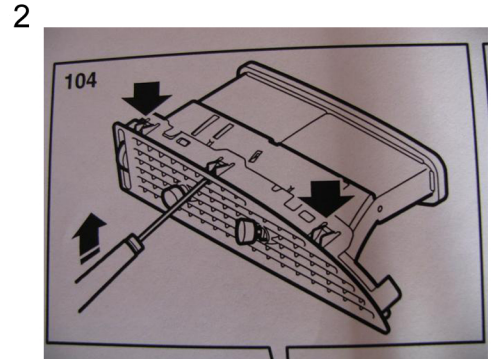
We advice to use the following positions.  
Other positions are also possible.

Use position 2 marked with a cross.  
Use position 16 & 18 marked with an arrow  
Measured from left to right.



\* Mount the plates.

# CT23S03



Using appropriate tool un-clip vent as shown.



Remove the centre air vent



Remove the 2 screws as indicated. then pull out the head unit.



Fit the double din metal bracket.



Push in the metal clip to secure the cage into place.



Fit the head unit into the cage, then fit the replacement panel.



Refit the air vent.